

Capacitive Proximity Switch

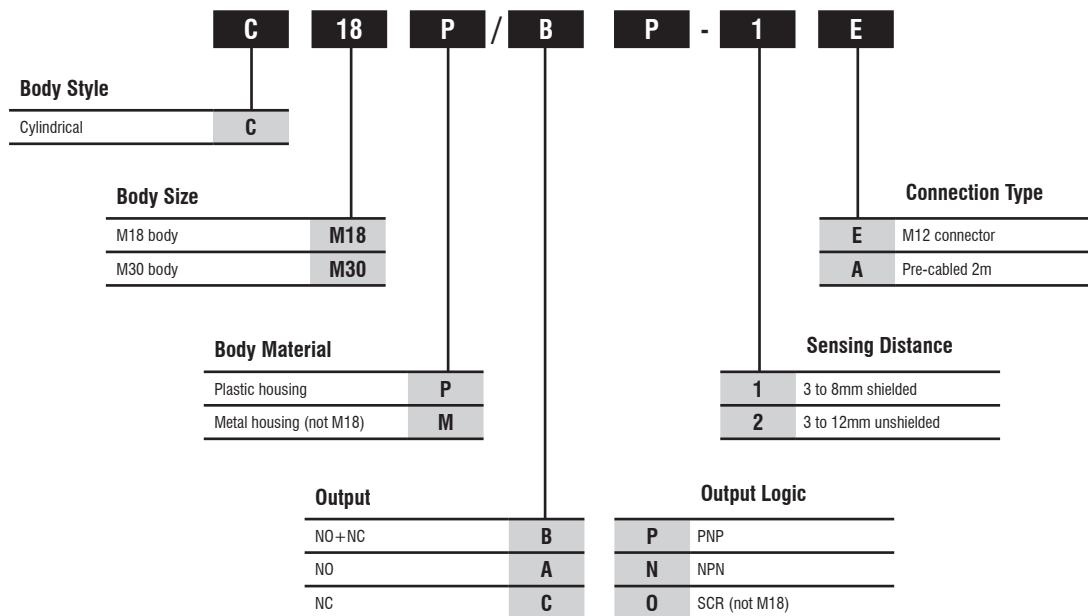
C18P - C30P Series

- DC or AC supply voltage
- High noise immunity
- Shielded and unshielded models
- Sensitivity adjustment
- Metal or plastic housing
- IP67 rated
- UL approval



Options & Ordering Codes

Note: The feasibility of a code number does not mean the effective availability of a product



Capacitive Proximity Switch

C18P - C30P Series

Technical Specification

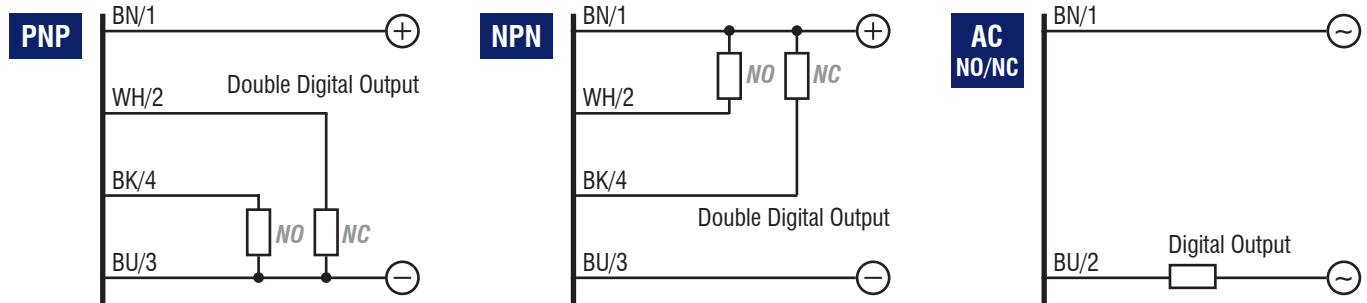
Models	C18P/**-1*	C18P/**-2*	C30*/**-1*	C30*/**-2*
Nominal sensing distance Sn	8mm	12mm	16mm	25mm
Differential travel H	≤ 20%			
Repeat accuracy	5%			
Rated operational voltage Ue	10 ... 40VDC or 20 ... 250VAC			
Max ripple content	≤ 10%			
Load current	≤ 10mA			
No-Load supply current	≤ 200mA (DC models), ≤ 500mA; max. 2.5 Amax. 20ms (AC models)			
Leakage current	≤ 10μA			
Output voltage drop Ud	2.5 Vmax @ IL=200 mA (DC models), ≤ 10 VAC @ IL ≥ 20 mA (AC models)			
Output type	NPN or PNP - NO or NC; SCR - NO or NC			
Switching frequency f	30Hz (M18 DC models); 50Hz (M30 DC models); 10Hz (AC models)			
Time delay before availability	≤ 100ms			
Supply electrical protections	polarity reversal, impulsive overvoltage			
Output electrical protections	auto reset short circuit, overvoltage (DC models)			
Sensitivity adjustment	yes			
Storage temperature	-40 ... +85°C			
Operating temperature	-25 ... +80°C (without freeze)			
Thermal drift	≤ 20%			
Emc compatibility	following the provisions of directives CE 2004/108/CE according to EN 60947-5-2			
Protection degree	IP67 (EN 60529) NEMA 1,3,4,6,13			
Led indicators	yellow (output status Lon/Don)			
Housing material	polyester		polyester or stainless steel	
Active head material	polyester			
Weight	30g (M12) / 110g (cable)		160g (M12) / 240g (cable)	

Supply	Housing	Installation	Sensing dist.	Connections	NPN, NO + NC	PNP, NO + NC	NO	NC	SCR NO + NC
10-40VDC	Polyester M18	Shielded	3-8mm	Cable	C18P/BN-1A	C18P/BP-1A	-	-	-
				M12 plug	C18P/BN-1E	C18P/BP-1E	-	-	-
		Unshielded	3-12mm	Cable	C18P/BN-2A	C18P/BP-2A	-	-	-
				M12 plug	C18P/BN-2E	C18P/BP-2E	-	-	-
20-250AC	Polyester M18	Shielded	3-8mm	Cable	-	-	C18P/A0-1A	C18P/C0-1A	-
				M12 plug	-	-	C18P/A0-1E	C18P/C0-1E	-
		Unshielded	3-12mm	Cable	-	-	C18P/A0-2A	C18P/C0-2A	-
				M12 plug	-	-	C18P/A0-2E	C18P/C0-2E	-
10-40VDC	Polyester M30	Shielded	2-16mm	Cable	C30P/BN-1A	C30P/BP-1A	-	-	-
				M12 plug	C30P/BN-1E	C30P/BP-1E	-	-	-
		Unshielded	4-25mm	Cable	C30P/BN-2A	C30P/BP-2A	-	-	-
				M12 plug	C30P/BN-2E	C30P/BP-2E	-	-	-
	Stainless Steel M30	Shielded	2-16mm	Cable	C30M/BN-1A	C30M/BP-1A	-	-	-
				M12 plug	C30M/BN-1E	C30M/BP-1E	-	-	-
		Unshielded	4-25mm	Cable	C30M/BN-2A	C30M/BP-2A	-	-	-
				M12 plug	C30M/BN-2E	C30M/BP-2E	-	-	-
20-250AC	Stainless Steel M30	Shielded	2-16mm	Cable	-	-	-	-	C30M/00-1A
				M12 plug	-	-	-	-	C30M/00-1E
		Unshielded	4-25mm	Cable	-	-	-	-	C30M/00-2A
				M12 plug	-	-	-	-	C30M/00-2E
	Polyester M30	Shielded	2-16mm	Cable	-	-	-	-	C30P/00-1A
				M12 plug	-	-	-	-	C30P/00-1E
		Unshielded	4-25mm	Cable	-	-	-	-	C30P/00-2A
				M12 plug	-	-	-	-	C30P/00-2E

Capacitive Proximity Switch

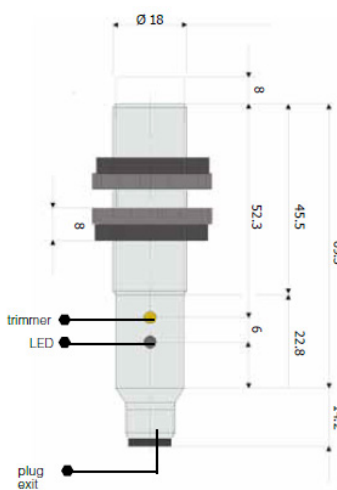
C18P - C30P Series

Wiring Diagram

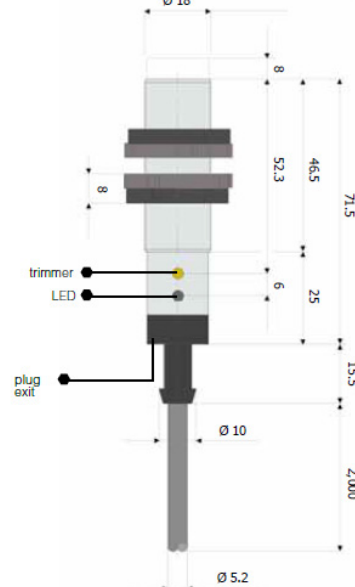


Dimensions (mm)

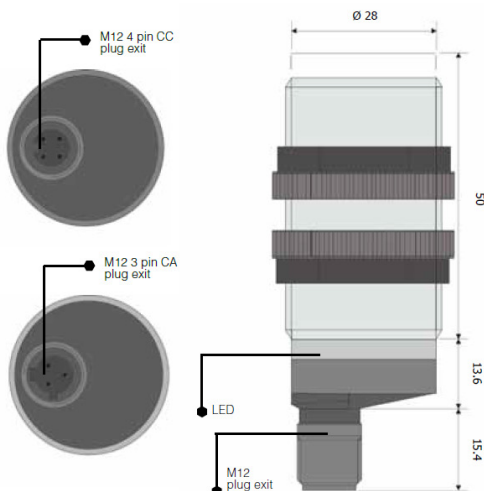
C18*/**-*E (plug exit)



C18*/**-*A (cable exit)



C30*/**-*E (plug exit)



C30*/**-*A (cable exit)

